

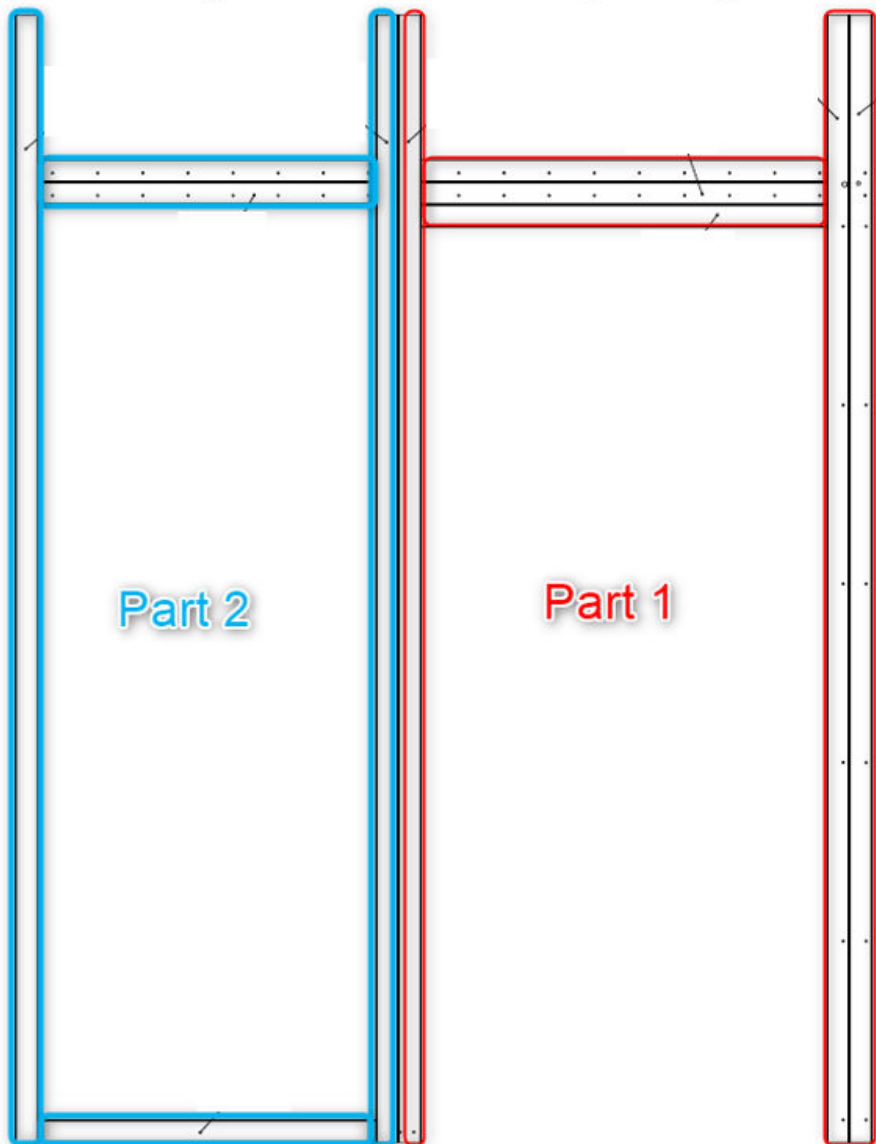
## INSTALLATION MANUAL FOR AUTOMATICALLY OPERATED MGF102 TYPE B-15 SLIDING DOOR

### 1. FRAME INSTALLATION

MGF102 B15 sliding door set is either with or without installation supporting frame. If the door is ordered with installation supporting frame, smoke lists and bottom guide will be fixed to the frame.

#### 1. Installation of the supporting frame

- 1) Connect the parts 1 and 2 of the frame together using M6x60mm stainless steel bolts.



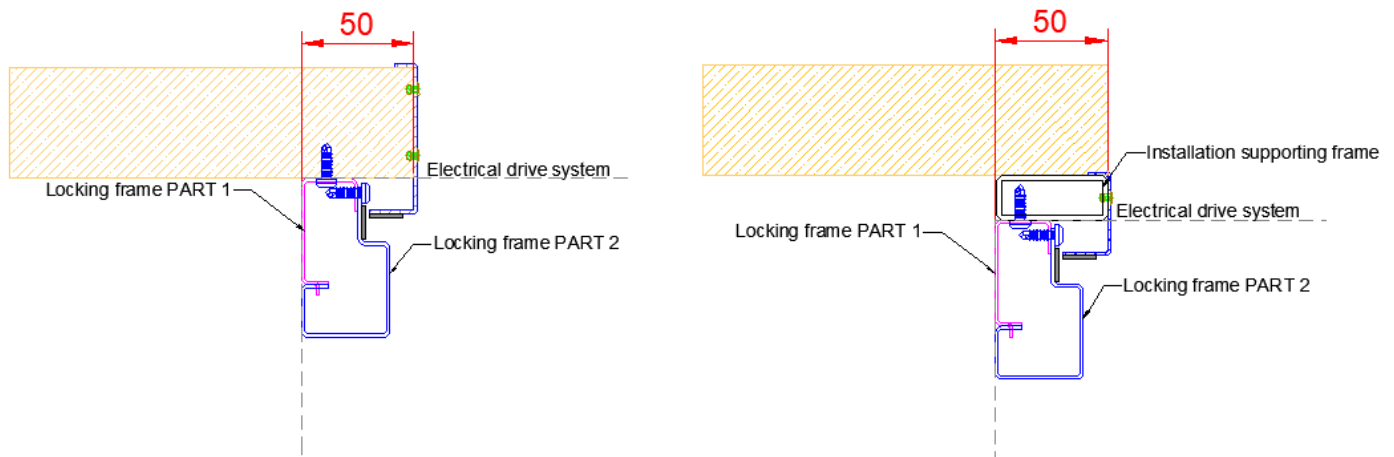
*Drawing 1*

- 2) Place the supporting frame in place and weld it to the wall.

#### STEEL PROFILE DOORS / METAL DOORS / MARINE DOORS

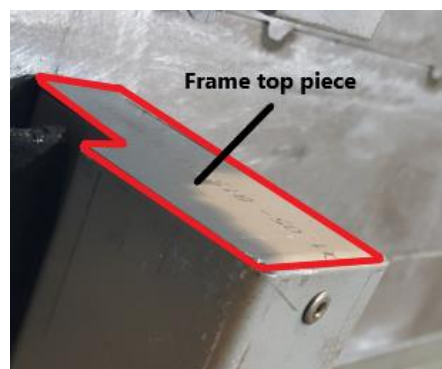
### 1.1 Installation of automatically operated single sliding door frame

- 1) Place Locking frame PART 1 at the distance of 50mm from the wall opening and fix it with D4x8 pop rivets.
- 2) Place Locking frame PART 2 and fix it to Locking frame PART 1 with pop rivets as shown on the Drawing 2.



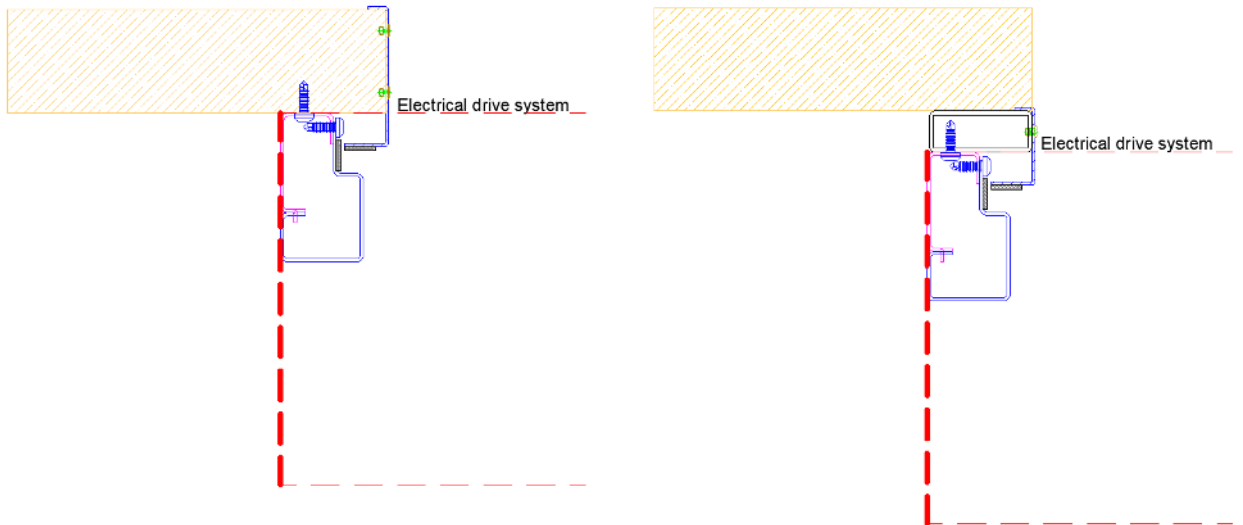
*Drawing 2*

- 3) Install locking/stop frame top piece with pop rivets



## 2. DORMA ES200 DRIVE UNIT INSTALLATION

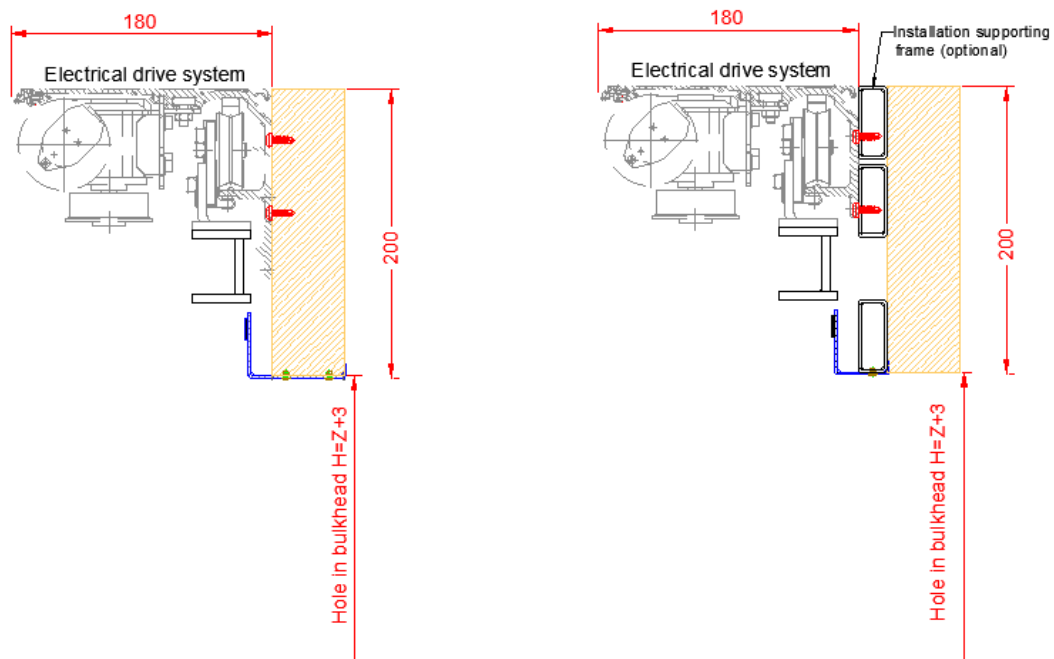
- 1) Position the drive unit in line with the back edge of the locking frame as shown on drawing 3.



*Drawing 3*

- 2) Position the drive unit upper edge 200mm above the wall opening.  
 Drive unit height=  $H(\text{HIB}) + 200\text{mm}$  measured from the finished floor/sill to upper edge of the drive system rail.

- 3) Fix the rail with self-drilling screws 4,8x19mm to the wall structure or installation supporting frame as shown on drawing 4.

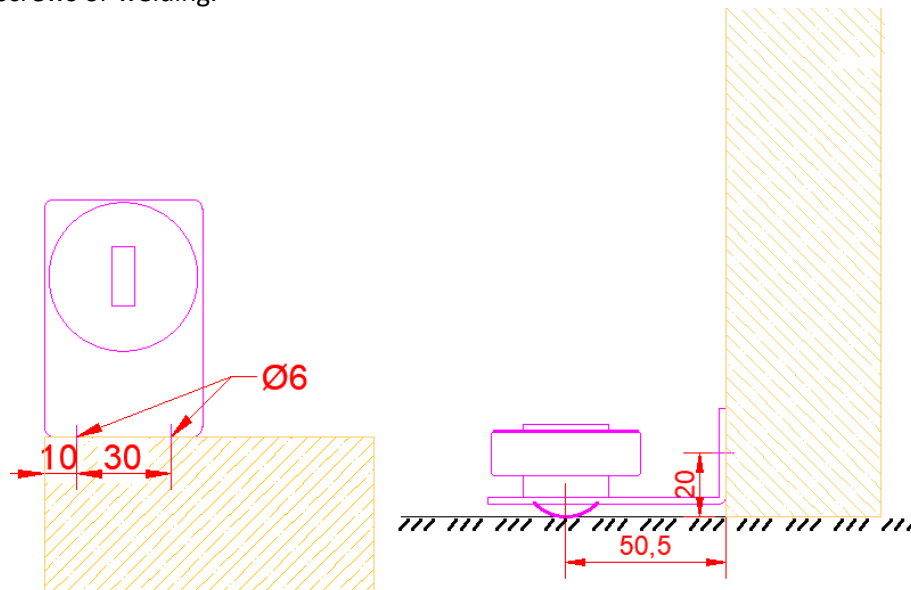


*Drawing 4*

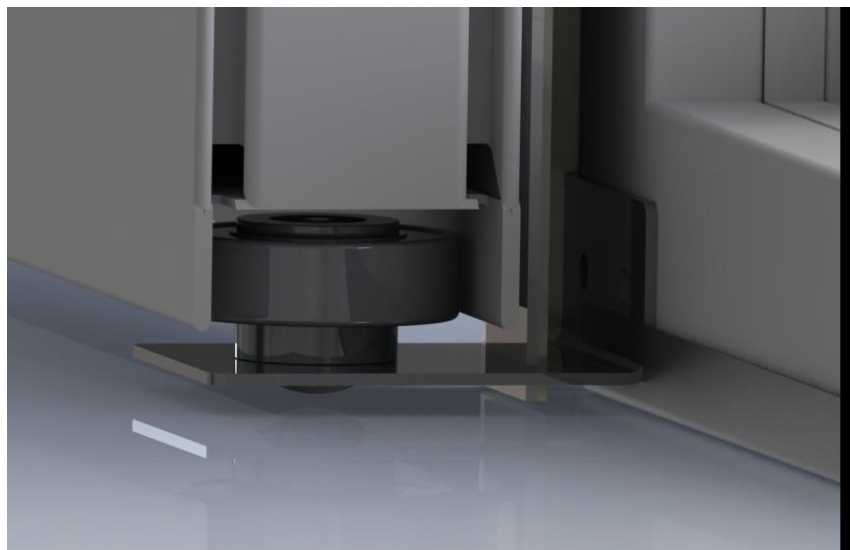
### STEEL PROFILE DOORS / METAL DOORS / MARINE DOORS

### 3. DOOR LEAF INSTALLATION

- 1) Place the door leaf on the bottom guide. Bottom guide is already fixed to the installation supporting frame. If the bottom guide came separately, fix it to the wall/bulkhead using self-drilling screws or welding.



*Drawing 5*



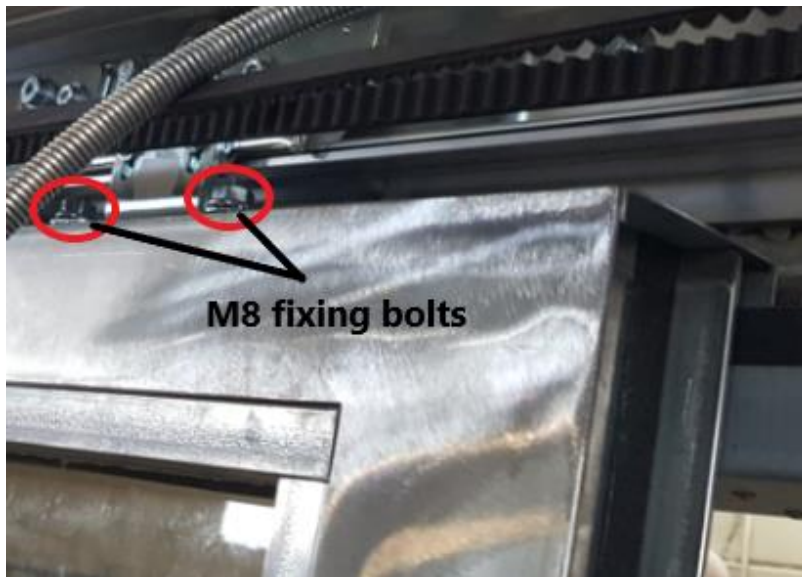
#### STEEL PROFILE DOORS / METAL DOORS / MARINE DOORS

**TAMMER OÜ**  
Väike-Paala 4  
11415 Tallinn, Estonia  
Reg. no. 10394201

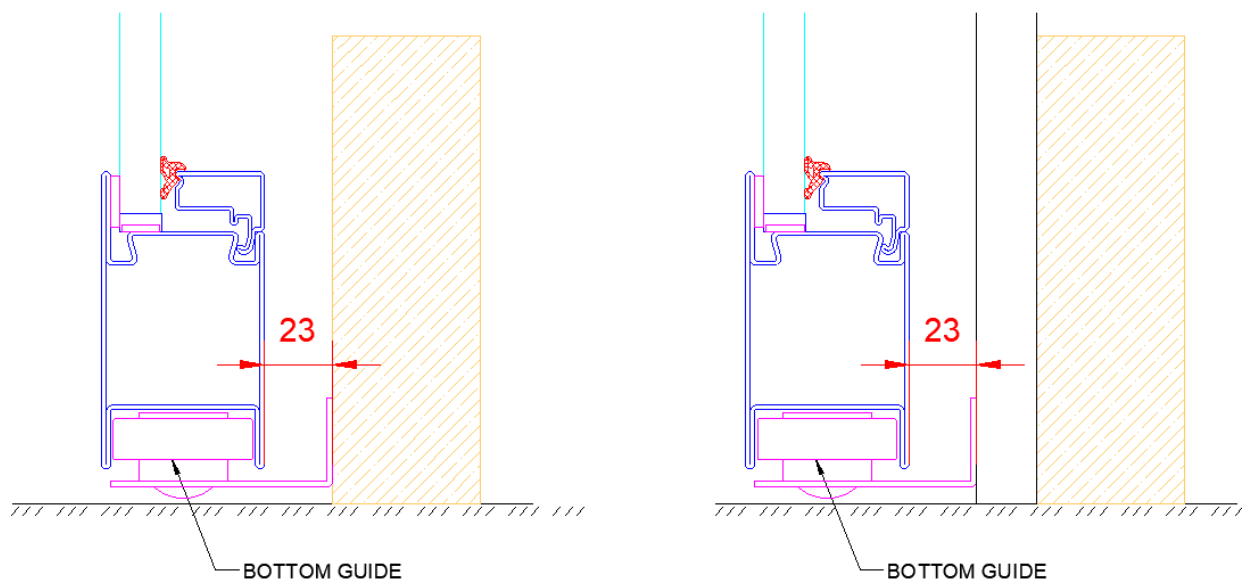
Phone +372 614 5500  
info@tammer.ee  
www.tammer.ee

Swedbank AS  
EE 372200221007143338  
VAT no EE 100364992

- 2) Install door leaf with 4pcs of M8 fixing bolts through 2 carriage hang wheels.  
**NB! Leave the bolts loose for door leaf adjustment!**



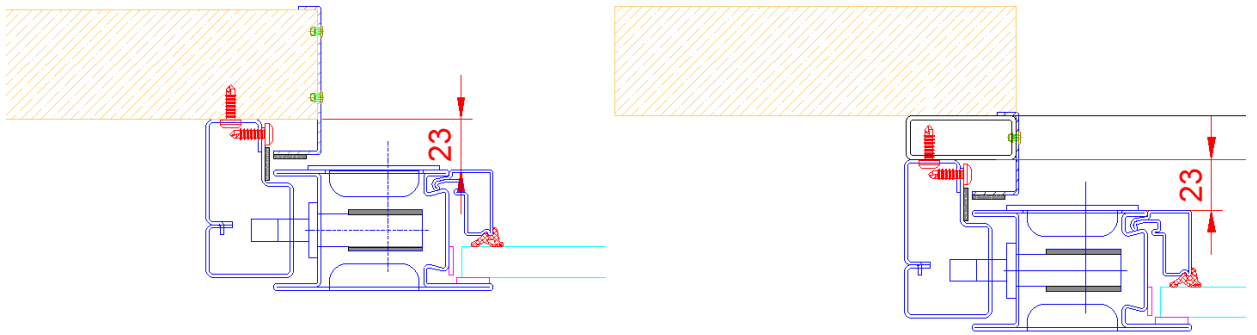
- 3) Check if the distance between door leaf and wall/installation supporting frame is **23mm**. See drawing 6.



*Drawing 6*

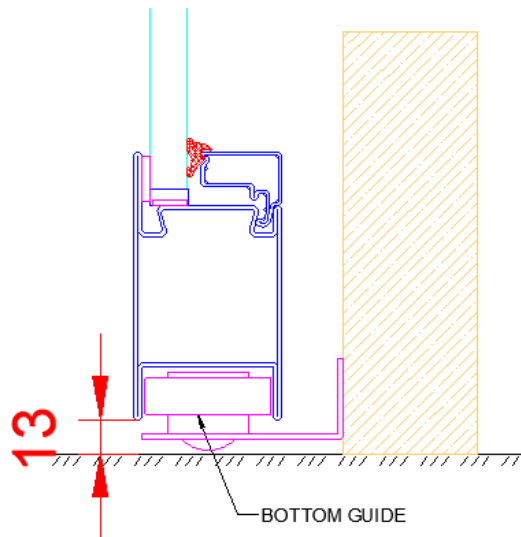
- 4) Before you tighten the M8 fixing bolts check again the distance between door leaf and bulkhead, it must be **23mm**.

## STEEL PROFILE DOORS / METAL DOORS / MARINE DOORS



*Drawing 7*

- 5) Fix M8 bolts and adjust the door leaf height (with height adjusting bolts) to get correct distance of 13mm between door leaf and finished floor/sill (drawing 8).



*Drawing 8*

**STEEL PROFILE DOORS / METAL DOORS / MARINE DOORS**

**TAMMER OÜ**  
Väike-Paala 4  
11415 Tallinn, Estonia  
Reg. no. 10394201

Phone +372 614 5500  
info@tammer.ee  
www.tammer.ee

Swedbank AS  
EE 372200221007143338  
VAT no EE 100364992





- 6) Check if door is complete, manually running correctly and prepared for commissioning. Settings of the drive system have to be made according to Dorma ES200 instruction.
- 7) For drive system cover use cover fixing details from the drive system set.



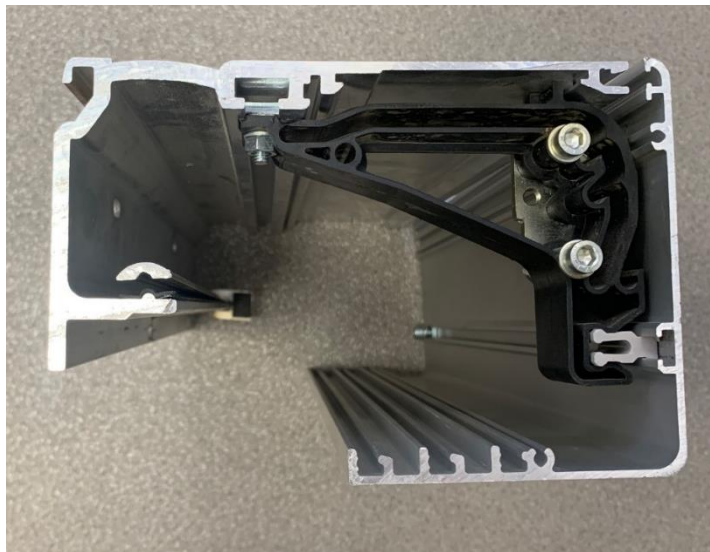
**STEEL PROFILE DOORS / METAL DOORS / MARINE DOORS**

**TAMMER OÜ**  
Väike-Paala 4  
11415 Tallinn, Estonia  
Reg. no. 10394201

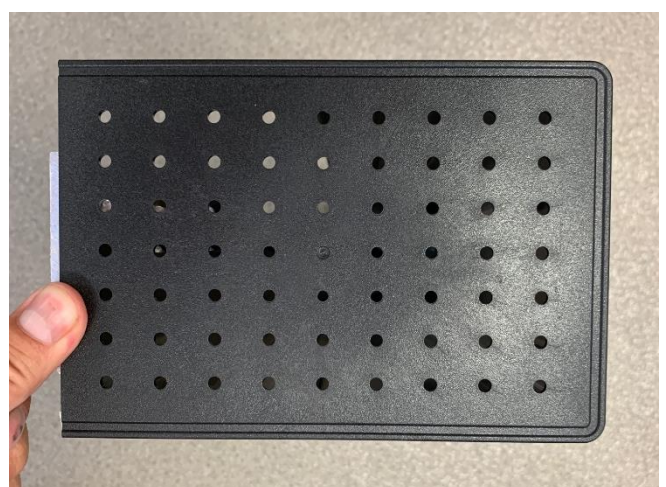
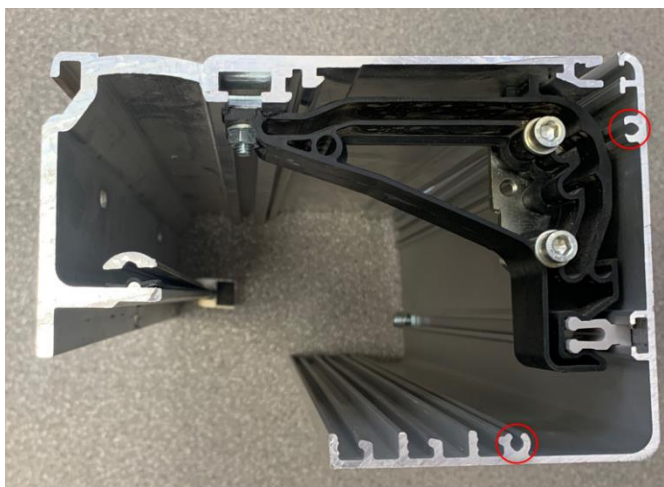
Phone +372 614 5500  
info@tammer.ee  
www.tammer.ee

Swedbank AS  
EE 372200221007143338  
VAT no EE 100364992

8) Fix the drive system cover as shown on the photo.



9) Place the plastic side covers on both sides of the drive system. Make sure, that the side cover fits in the holes.



**STEEL PROFILE DOORS / METAL DOORS / MARINE DOORS**

**TAMMER OÜ**  
Väike-Paala 4  
11415 Tallinn, Estonia  
Reg. no. 10394201

Phone +372 614 5500  
info@tammer.ee  
www.tammer.ee

Swedbank AS  
EE 372200221007143338  
VAT no EE 100364992