

INSTALLATION MANUAL FOR MGF101 and MGF201 TYPE FIRE PROTECTION GLASS PROFILE DOORS

1. PURPOSE

This manual covers the installation instructions for glazed steel profile doors with fire resistance class B-15.

2. INSTRUCTIONS

Fastening devices and materials used in the installation of the fire protection products must be non-flammable. It is allowed to use self-drilling metal screws or bolts with the fastening element dimensions of minimum $\text{Ø}6.3\text{mm}$ and length min. 40mm. The interval between fixing points must be max. 600mm. The first fastening should be 200mm from the corner. The door frame fixing method to the B15 bulkhead is shown on Figure 1.

The gap between the installation opening and the frame must be covered with a counter frame. Intumescent gasket Pyroplex 2,0x15mm should be placed between the bulkhead and the door frame.

As an optional installation method welded bolt M8x30 and rivet nut M3x20 or Adjufix AH-28 and M16 screw fixing is possible and shown on figure 2.

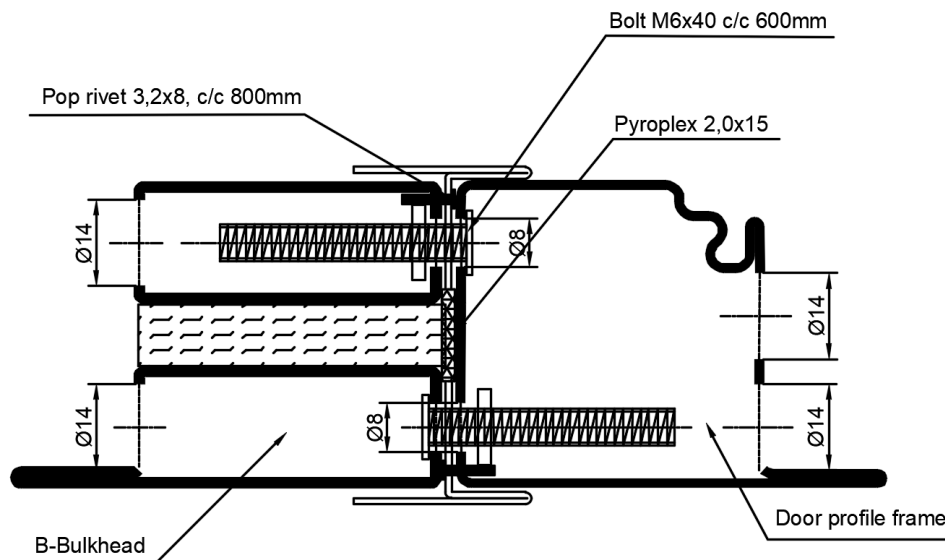


FIGURE 1

STEEL PROFILE DOORS / METAL DOORS / MARINE DOORS

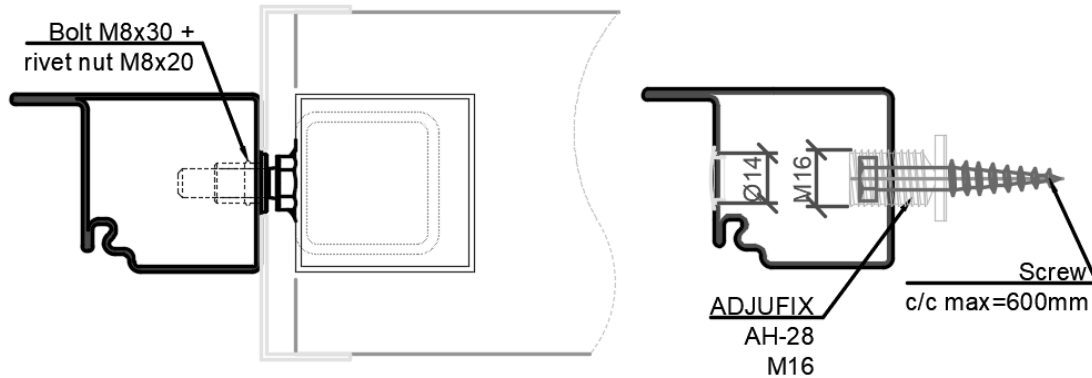


FIGURE 2

3. INSTALLATION

- When transporting the construction to a place of installation, avoid damage to the surface finishing. If necessary, cover the surfaces with cardboard, plastic or other materials.
- Make sure the measurements of the installation opening and construction match. The gap between the installation opening and the frame may be 5-10 mm. In case of wider gaps, the installation opening must be adjusted to fit the necessary measurements.
- Lift the construction upright into the installation opening on a recently finished and levelled floor.
- Fasten the construction's upper corners A on the vertical wall according to the existing fastening points (see Figure 3).
- Place the door panel (panels) in the frame and adjust the spaces between the door panel and frame to be parallel, keeping the verticality of the construction in mind.
- Fasten the construction's lower corners B on the vertical wall according to the existing fastening points (see Figure 3).

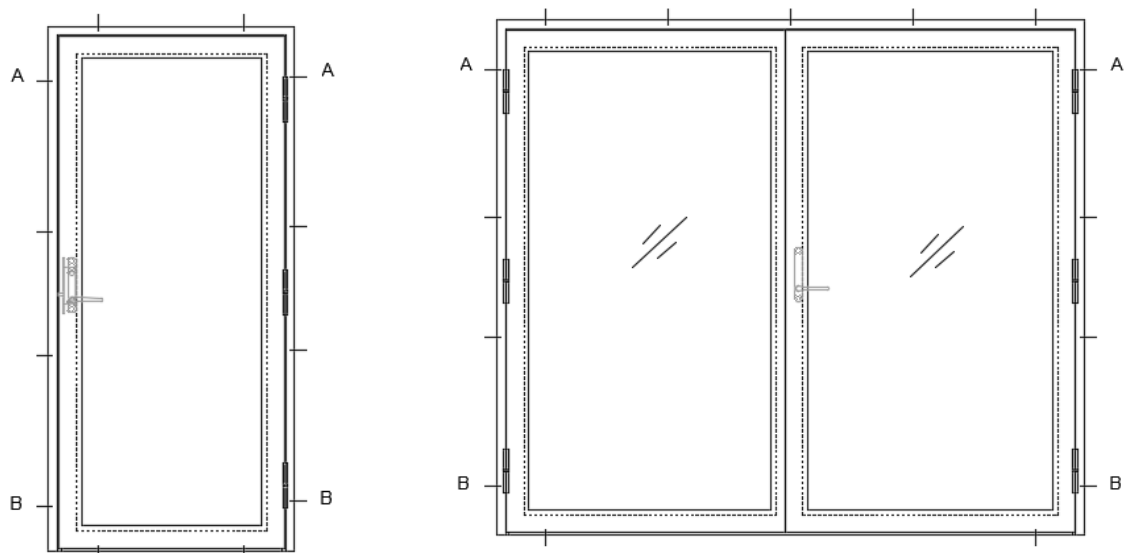


FIGURE 3

STEEL PROFILE DOORS / METAL DOORS / MARINE DOORS

- Check the movement and spaces of the doors, adjust if necessary.
- Secure the remaining fasteners of the construction.
- Cover the gap between the frame and the wall with counter frame or T-lists fixing them with pop rivets 3,2x8mm.
- Check the performance of the door and the correct functioning of the closers. If the closers have not been installed yet, they must be installed according to the installation manual of the closers.
- If necessary, install the separately delivered glasses (see Clause 2 Installation of Glasses).
- Fasten cover lists with pop rivets (as appropriate, with the interval of about 800 mm) on both sides of the construction and fit cover caps on visible fastening openings.

4. INSTALLATION OF GLASSES

- During the installation of glasses (see Figure 4) make sure that the glasses are not broken and there are no cracks or other damages on them. Damaged glasses may be installed with the temporary purpose of closing an opening. In that case the product does not comply with the previously stated requirements and warranty conditions.
- The glazing opening of the frame is first cleaned of dust and dirt.
- Make sure that the glazing beads are installed in the same place on the construction where they were before the installation of the glasses. In case of separately packed glazing beads, make sure that the markings on the construction and the beads match.
- Make sure that the ceramic seal Kerafix 2000 (17x2-5mm) of appropriate thickness is installed on the glass strips and panel edge, so that the seal is at least 1mm lower than the outer surface of the panel.
- If necessary, remove the fastening screws from the panel, in order to fit the glass in the opening.
- Glass must be placed on 6mm distance blocks Promatect H, which are placed ~100 mm from the corners of the glass.
- After placing the glass on the distance blocks, you can insert silicone between the edge of the glass and the frame
- Make sure that the space between the glass edge and panel is even and then install the seal Kerafix 2000 (17x2-5mm) around the glass perimeter between the glass edge and frame so that the seal covers the entire thickness of the glass.
- First install horizontal glazing beads on the glass (from panel to panel) and vertical beads between them. In order to fasten the glazing bead, hit the screw fastening under the bead with a rubber hammer or use a wood block to hit the outer corner of the bead (in the direction shown with an arrow 1 in the Figure). Start fastening the bead from one end of the bead and continue towards the other end. Make sure that the bead is fastened correctly on the screws and that there is no space between the glazing bead and the panel. If necessary, help to fix the fastening by hitting the bead above the fastening screw in the direction of the screw's axis (in the direction shown with an arrow 2 in the Figure).

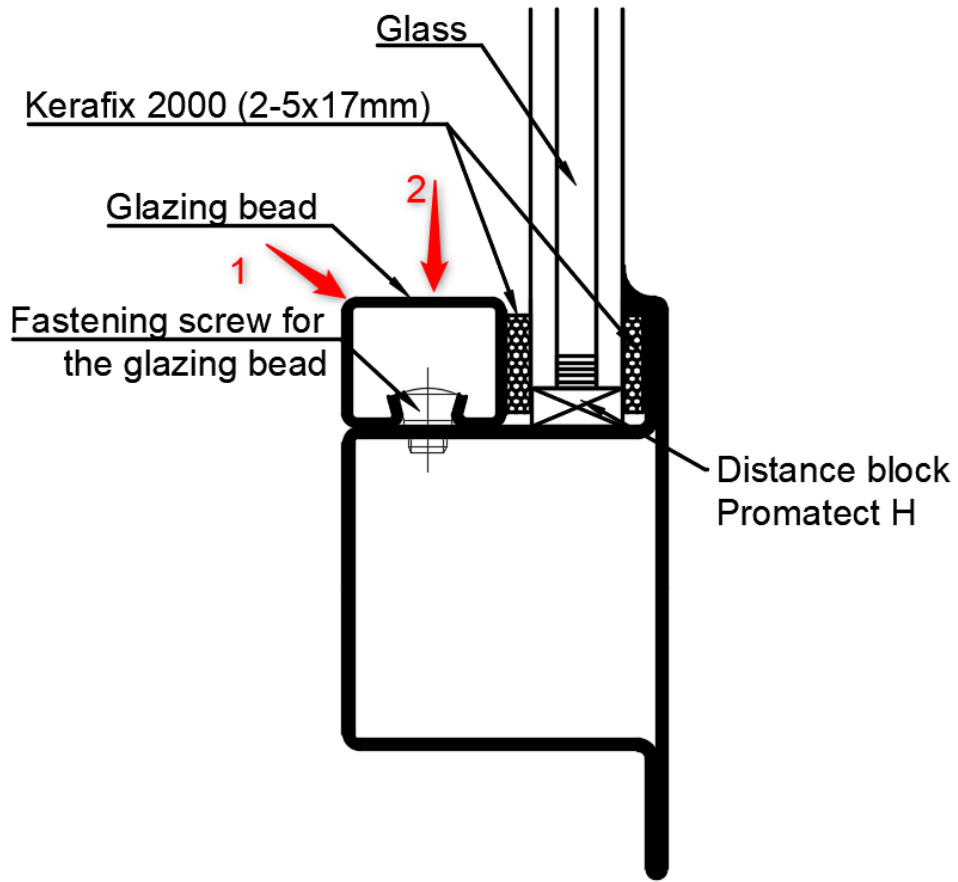


FIGURE 4

STEEL PROFILE DOORS / METAL DOORS / MARINE DOORS