

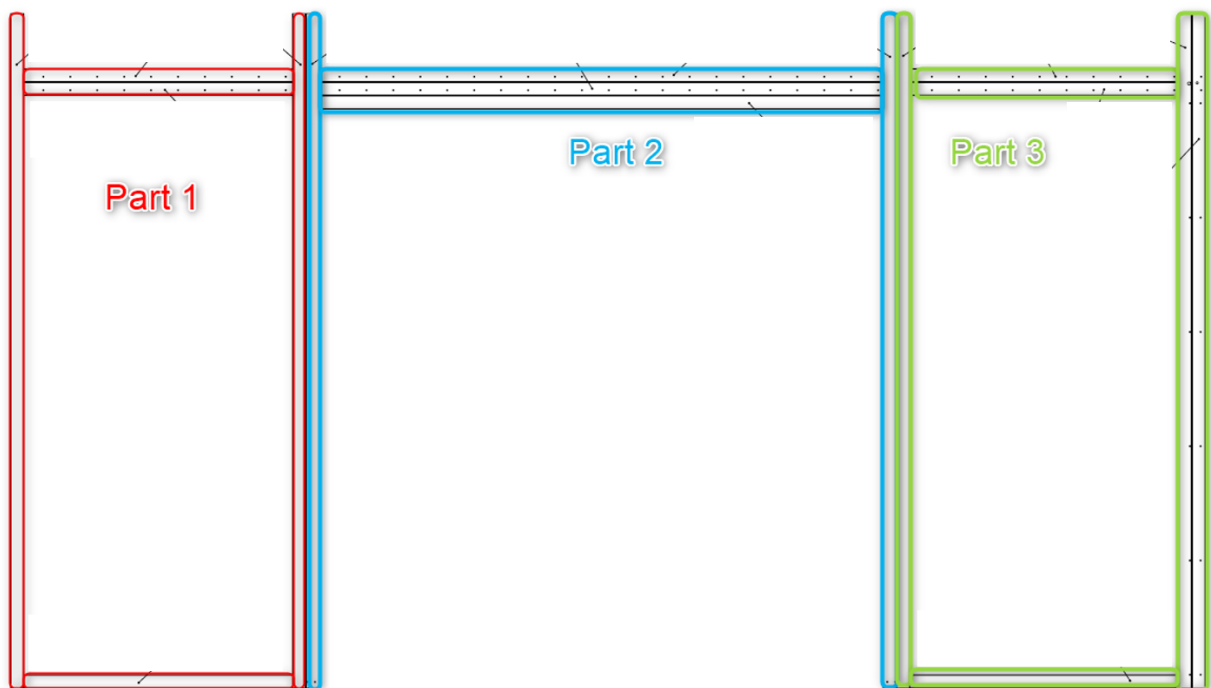
INSTALLATION MANUAL FOR MANUALLY OPERATED MGF202 TYPE B-15 SLIDING DOOR

1. SUPPORTING FRAME INSTALLATION

MGF202 B15 sliding door set is either with or without installation supporting frame.

If the door is ordered with installation supporting frame, smoke lists and bottom guide will be fixed to the frame.

- 1) Connect the frame's parts 1, 2 and 3 together, using M6x60mm stainless steel bolts.

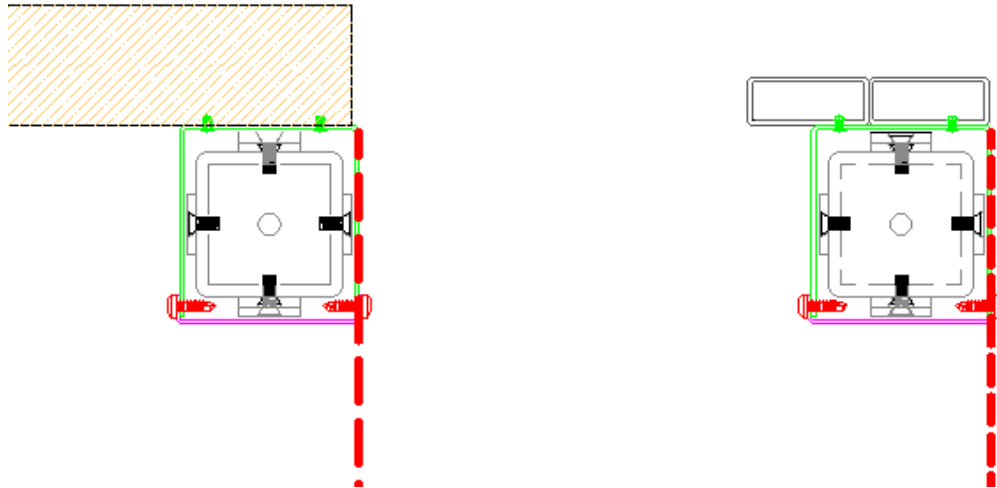


Drawing 1

- 2) Place the supporting frame in place and weld it to the wall.

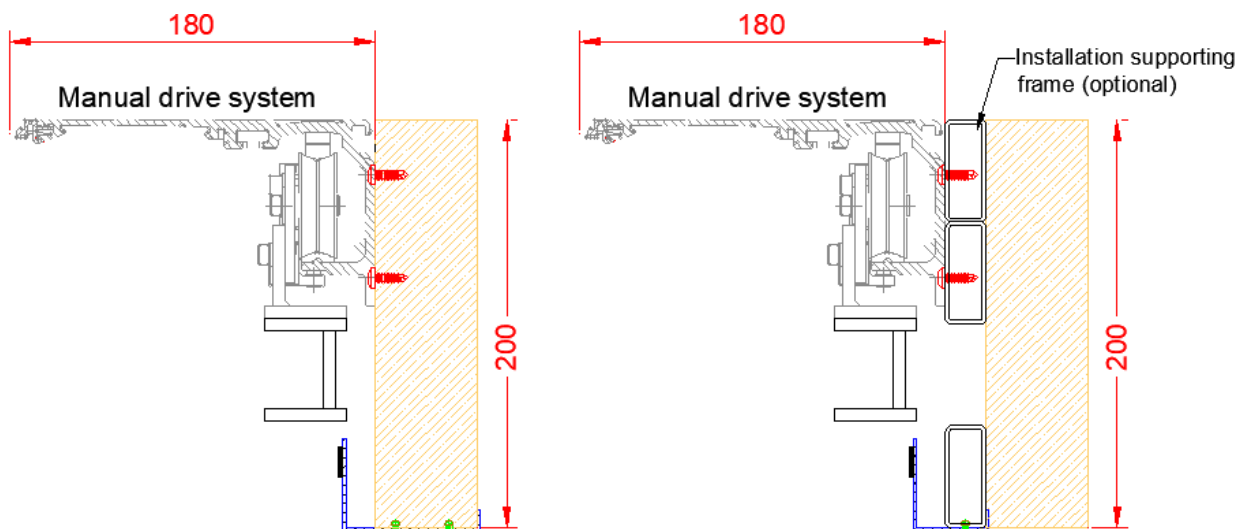
2. DORMA ES200 DRIVE UNIT INSTALLATION

- 1) Position the drive unit in line with the back edge of the counter weight frame as shown on drawing 2.



Drawing 2

- 2) Position the drive unit upper edge 200mm above the wall opening.
Drive unit height= $H(HIB) + 200\text{mm}$ measured from the finished floor/sill to upper edge of the drive system rail.
- 3) Fix the rail with self-drilling screws 4,8x19mm to the wall structure or installation supporting frame as shown on drawing 3.

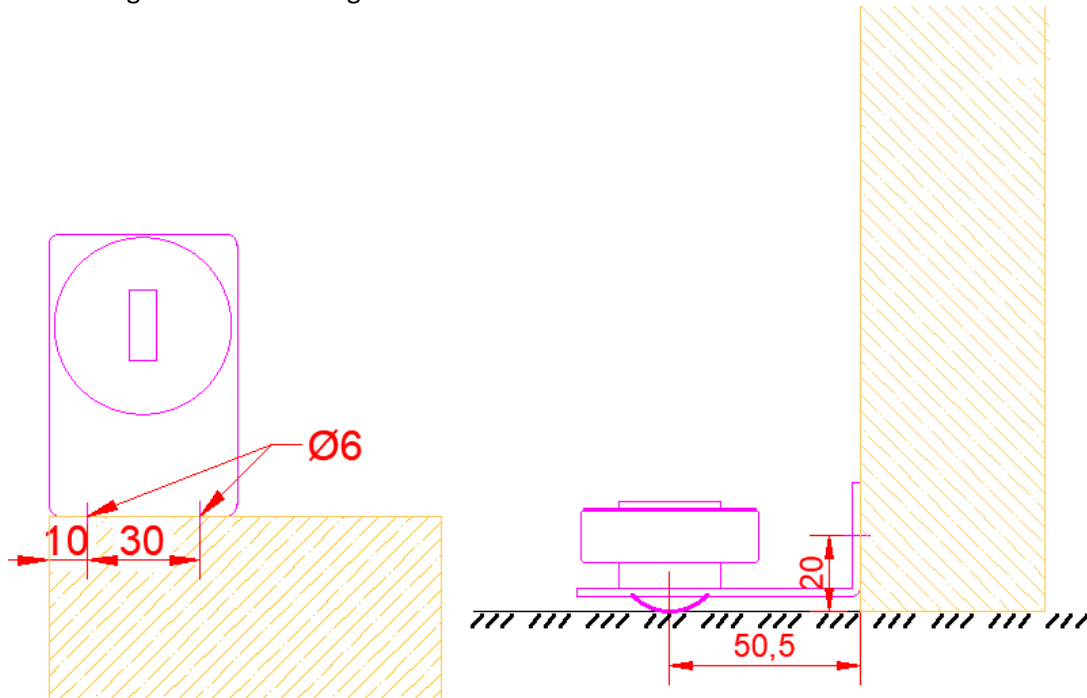


Drawing 3

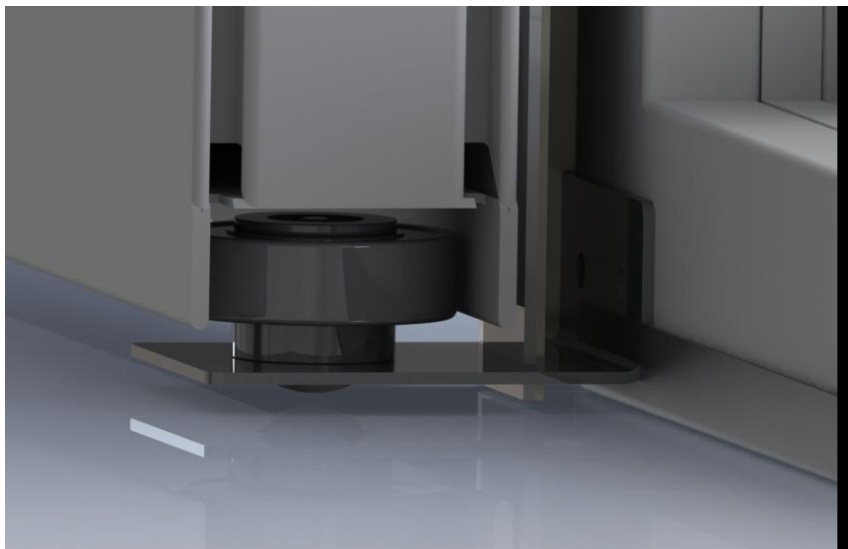
STEEL PROFILE DOORS / METAL DOORS / MARINE DOORS

3. DOOR LEAF INSTALLATION

- 1) Place the door leaves on the bottom guides. Bottom guides are already fixed to the installation supporting frame. If the bottom guides came separately, fix them to the wall/bulkhead using self-drilling screws or welding.

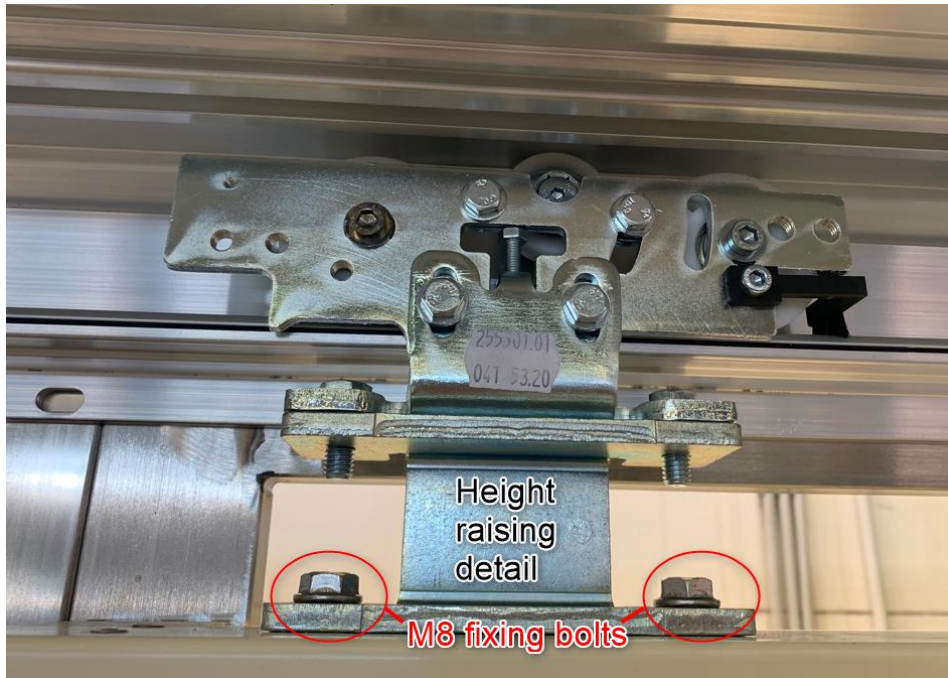


Drawing 4

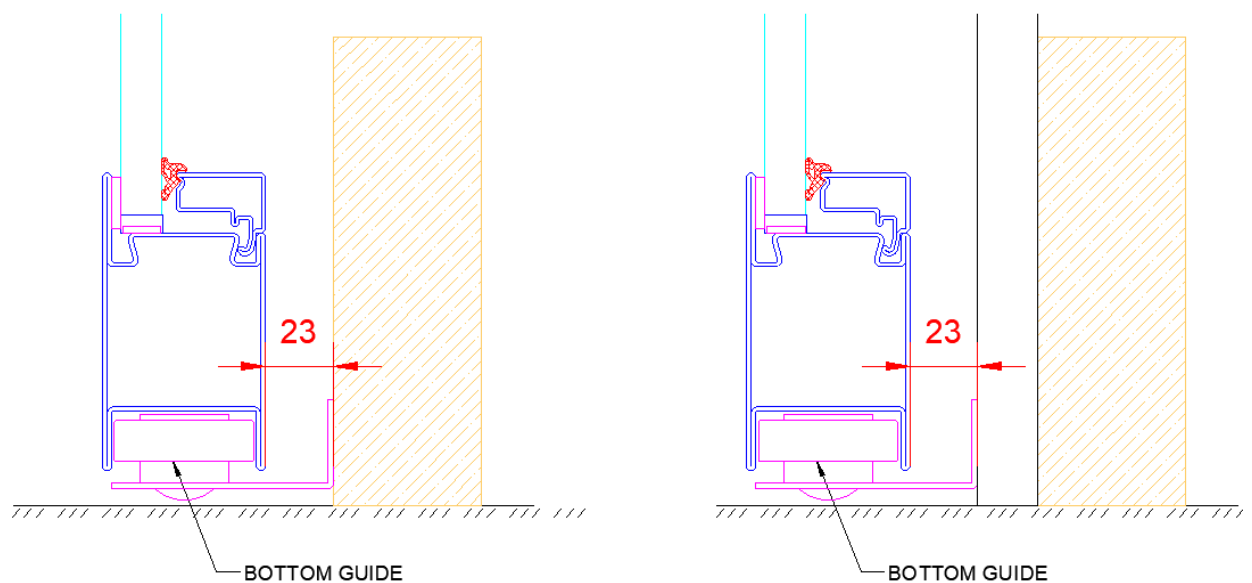


- 2) Install door leaf with 4pcs of M8 fixing bolts through 2 carriage hang wheels.
NB! Leave the bolts loose for door leaf adjustment!

STEEL PROFILE DOORS / METAL DOORS / MARINE DOORS



- 3) Check if the distance between door leaf and wall/installation supporting frame is **23mm**. See drawing 5.

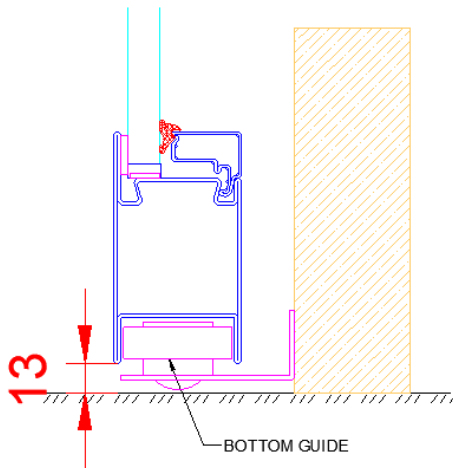


Drawing 5

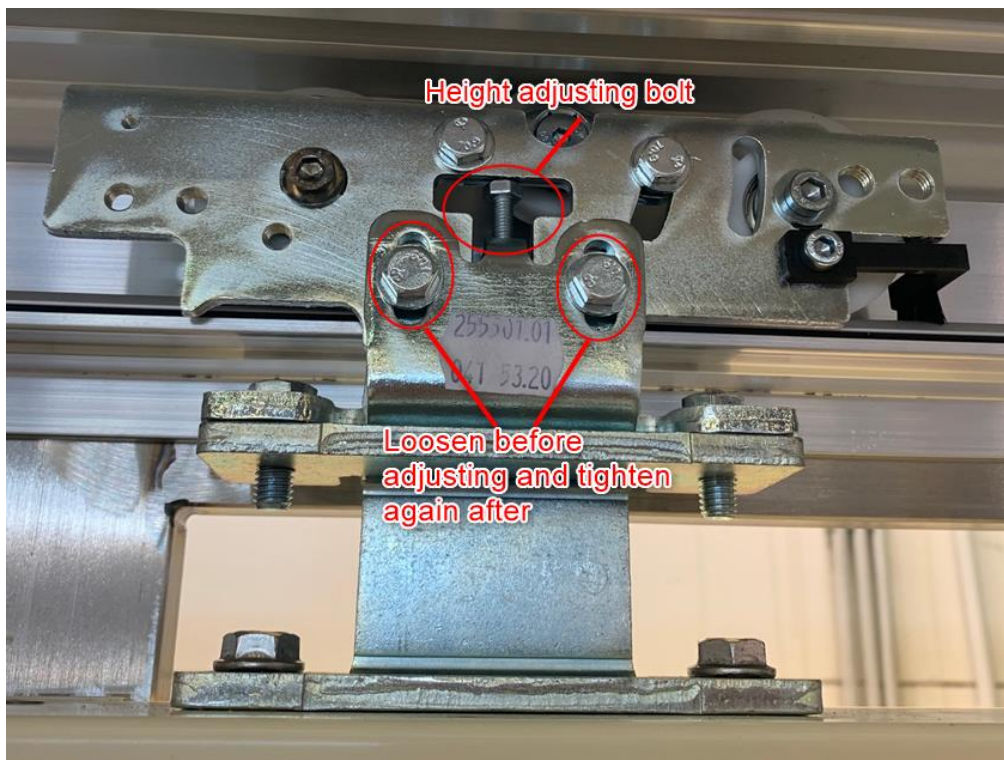
- 4) Before you tighten the M8 fixing bolts check again if the distance between door leaf and bulkhead, it must be **23mm**.

STEEL PROFILE DOORS / METAL DOORS / MARINE DOORS

- 5) Fix M8 bolts and adjust the door leaf height (with height adjusting bolts) to get correct distance of 13mm between door leaf and finished floor/sill (drawing 6).



Drawing 6

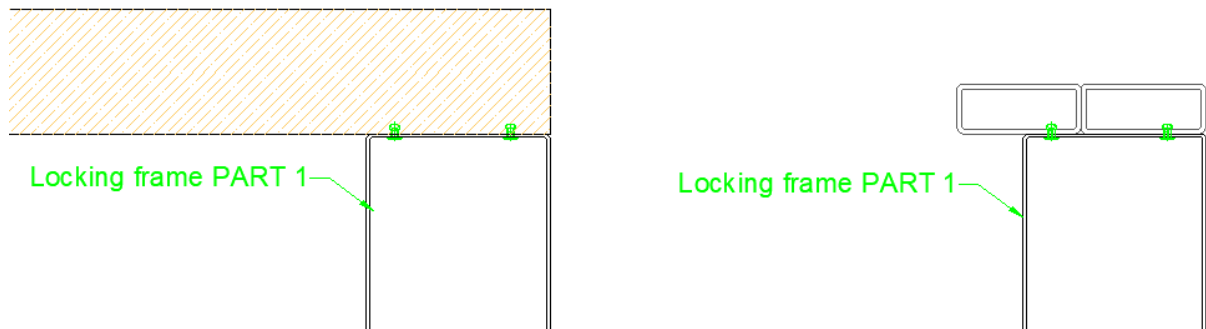


- 6) Check if door is complete, manually running correctly and prepared for installing the counterweight system.

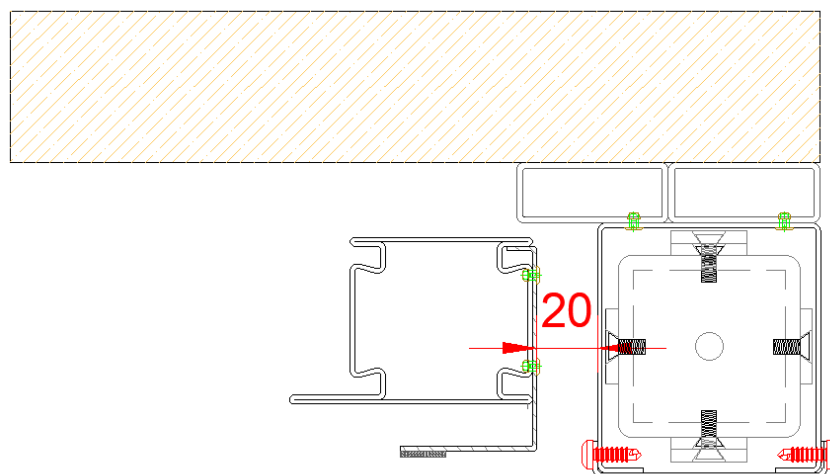
STEEL PROFILE DOORS / METAL DOORS / MARINE DOORS

4. INSTALLATION OF COUNTERWEIGHT SYSTEM

- 1) Place counterweight frame PART 1 on the right side and fix it with D4x8 pop rivets (drawing 7). The distance between opened door leaf edge and counterweight frame should be at least 20mm (drawing 8).

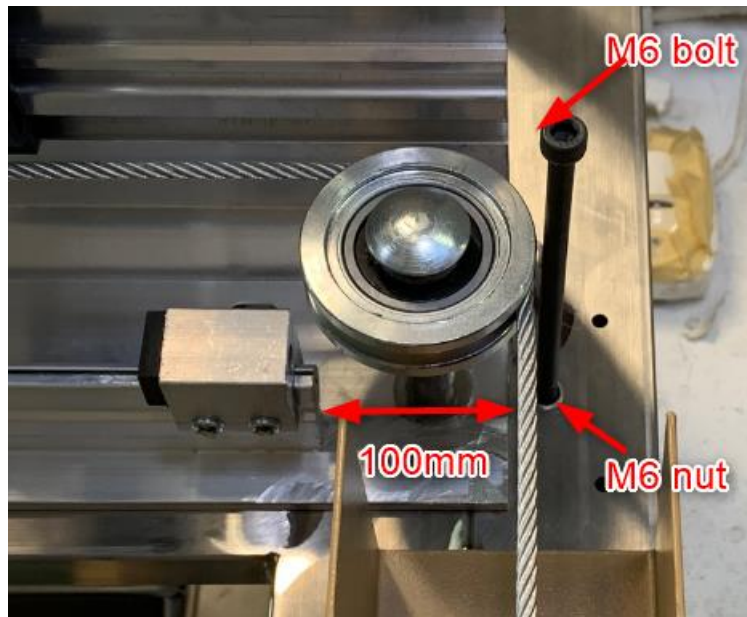


Drawing 7



Drawing 8

- 2) Do the cut out of 100mm from the edge of the drive rail (from stop frame side) for the steel wheel.



- 3) Install the M6 pull nut on the installation frame and turn the stopping bolt M6 bolt into the nut.
- 4) For the steel wheel use M10x80 bolt + pipe 25mm+ washer + M10 nut



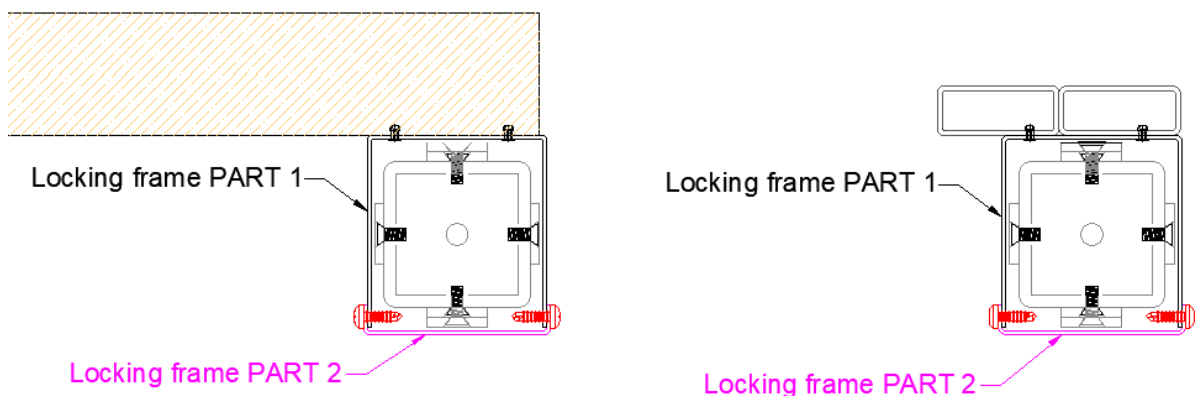
- 5) Pull the steel wire through the loop of the counterweight and close the end of it with wire clamp.

STEEL PROFILE DOORS / METAL DOORS / MARINE DOORS

- 6) Place the counterweight into the stopping frame and measure the size of the wire. When the door is in closed position, the counterweight should be at the lowest level, about 150mm from the floor. Opposite end of the steel wire should be fixed to the opposite door leaf carriage hang wheel and closed with wire clamp.



- 7) Cover the locking frame with Locking frame PART 2 by fixing it with M4x12mm self-drilling screws (drawing 9).



Drawing 9

5. DORMA ES200 DRIVE UNIT COVER INSTALLATION

For drive system cover use cover fixing details from the drive system set.

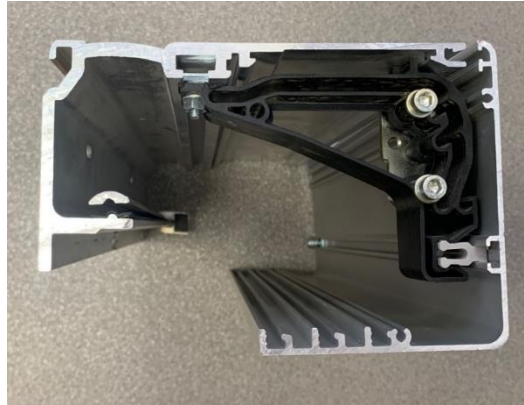


- 1) Fix the black plastic drive system cover details to the both sides of the drive unit as shown on the photo.

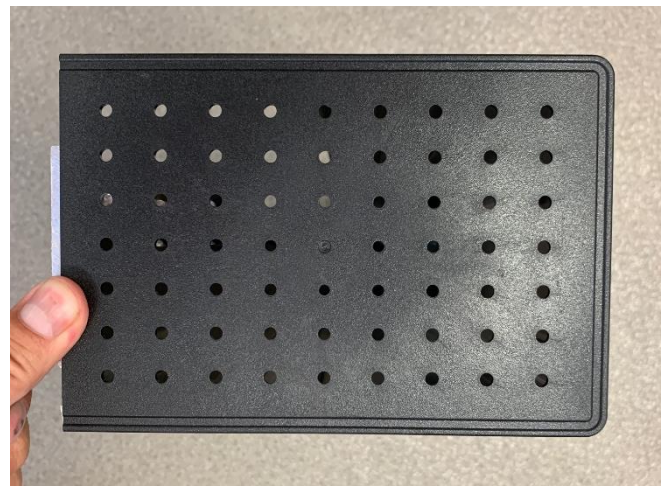
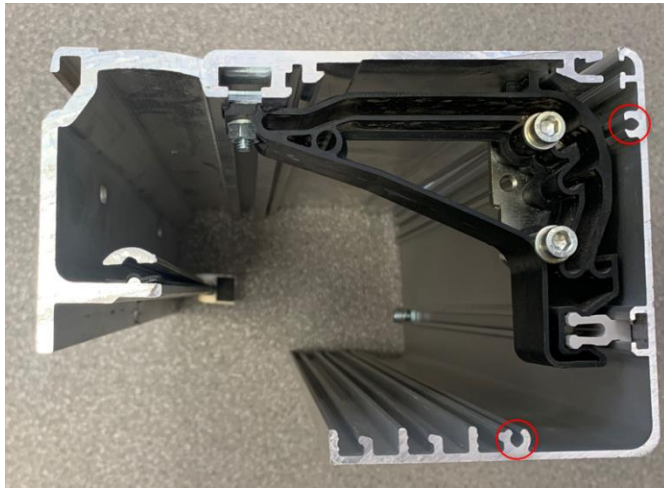


- 2) Place and fix the drive system cover

STEEL PROFILE DOORS / METAL DOORS / MARINE DOORS



- 3) Place the plastic side covers on both sides of the drive system. Make sure, that the side cover fits in the holes.



STEEL PROFILE DOORS / METAL DOORS / MARINE DOORS

TAMMER OÜ
Väike-Paala 4
11415 Tallinn, Estonia
Reg. no. 10394201

Phone +372 614 5500
info@tammer.ee
www.tammer.ee

Swedbank AS
EE 372200221007143338
VAT no EE 100364992