

INSTALLATION MANUAL FOR GLASS PROFILE WALL PARTITIONS MGP101

CONTENTS

1. PURPOSE	1
2. DESCRIPTION OF ACTIVITIES	1
2.1 INSTALLATION OF GLASSES	3

1. PURPOSE

This guide provides instructions for the installation of glass profile doors and non-load-bearing partitions. The guide applies to both fire-resistant and non-fire-resistant products.

2. DESCRIPTION OF ACTIVITIES

Fastening devices and materials used in the installation of the fire protection products must be non-flammable. The fastener's interval must be max. 600mm. The fastening methods are shown in Figure 1.

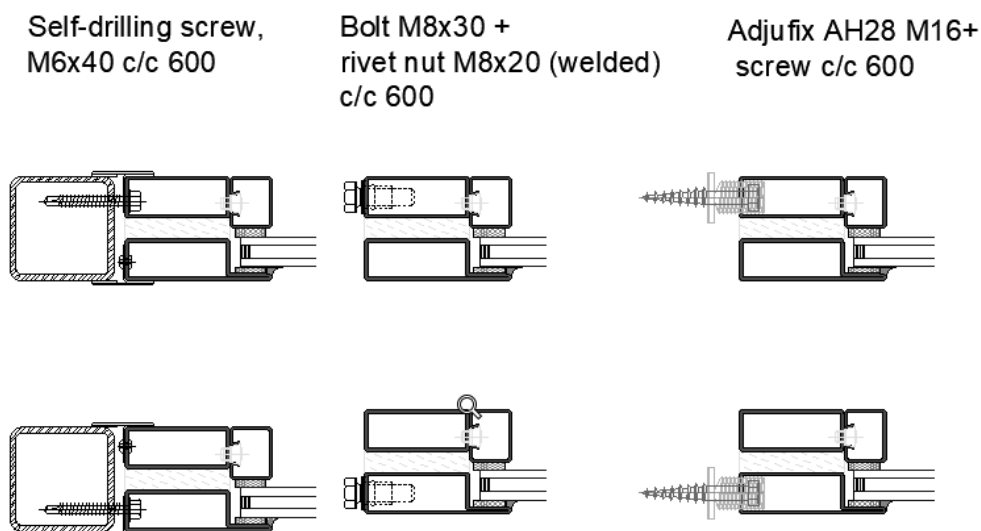


FIGURE 1

- When transporting the construction to a place of installation, avoid damage to the surface finishing. If necessary, cover the surfaces with cardboard, plastic or other materials.
- Make sure the measurements of the installation opening and construction match. The slit between the installation opening and the frame may be 5-10 mm. In case of wider slits, the installation opening must be adjusted to fit the necessary measurements.
- Lift the construction upright into the installation opening on a recently finished and levelled floor.
- Fasten the construction's upper corners A on the vertical wall according to the existing fastening points (see Figure 2).
- Fasten the construction's lower corners B on the vertical wall according to the existing fastening points (see Figure 2).

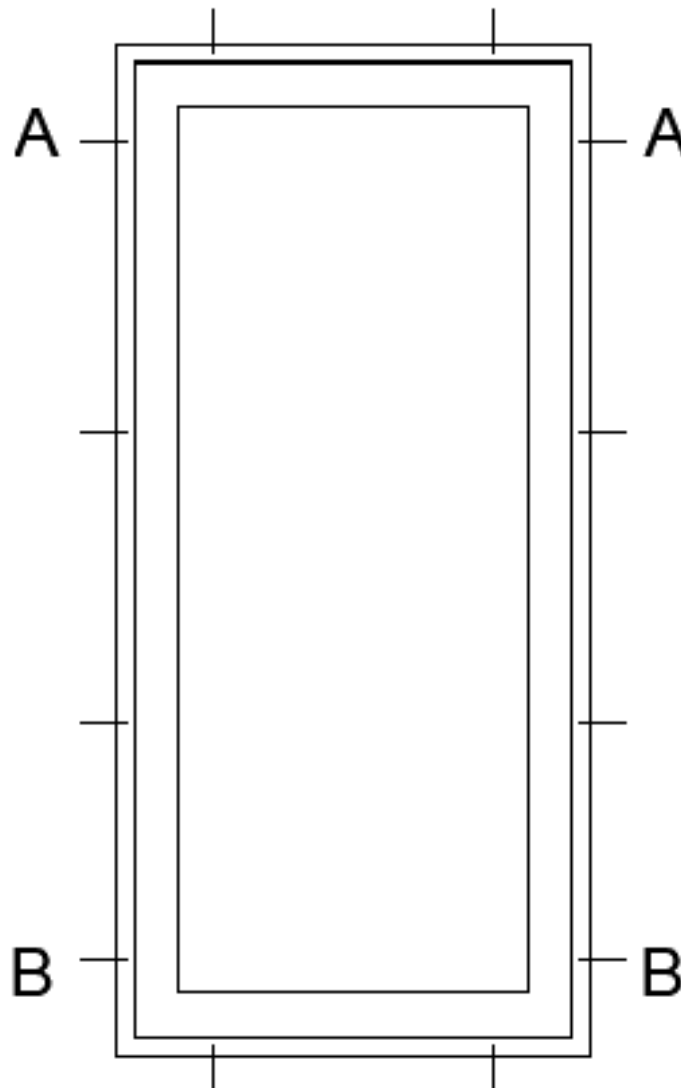


FIGURE 2

- Secure the remaining fasteners of the construction.
- If necessary, install the separately delivered glasses (see p.2.1 Installation of glasses)

STEEL PROFILE DOORS / METAL DOORS / MARINE DOORS

- Fasten covering beads with blind rivets or screws (as appropriate, with an interval of about 500 mm) on both sides of the construction.

2.1 INSTALLATION OF GLASSES

- During the installation of glasses (see Figure 3) make sure that the glasses are not broken and there are no cracks or other damages on them. Damaged glasses may be installed with the temporary purpose of closing an opening. In that case the product does not comply with the previously stated requirements and warranty conditions.

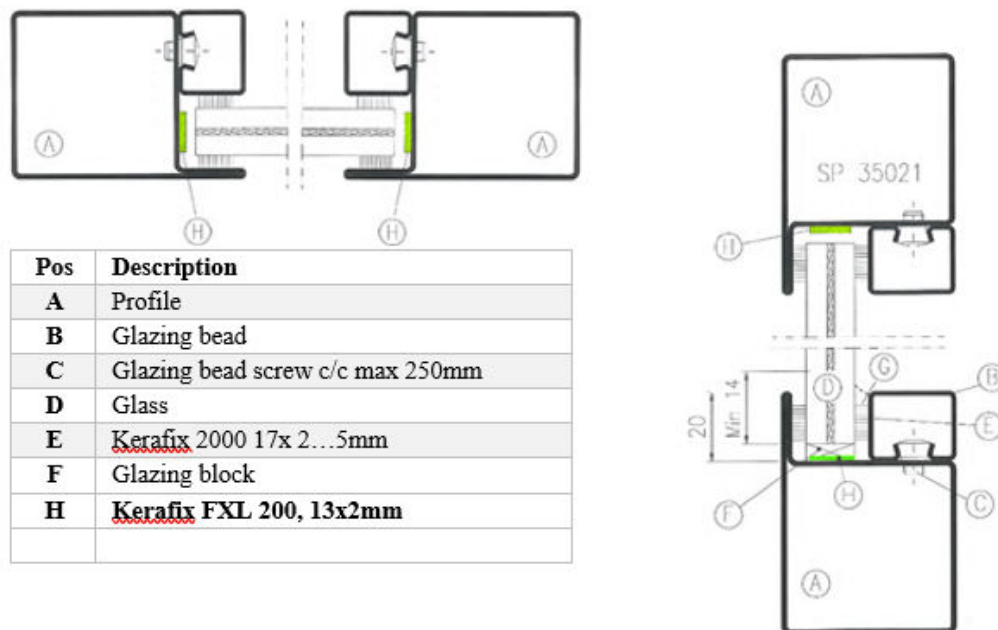


FIGURE 3

- The glazing opening of the frame is first cleaned of dust and dirt.
- Make sure that the glazing beads (B) are installed in the same place on the construction where they were before the installation of the glasses. In the case of separately packed glazing beads, make sure that the markings on the construction and the beads match.
- Make sure that the ceramic seal Kerafix 2000 (17x2-5mm) (E) of appropriate thickness is installed on the glazing beads (larger side) and panel edge, so that the seal is at least 1mm lower than the outer surface of the panel (Figure 4).

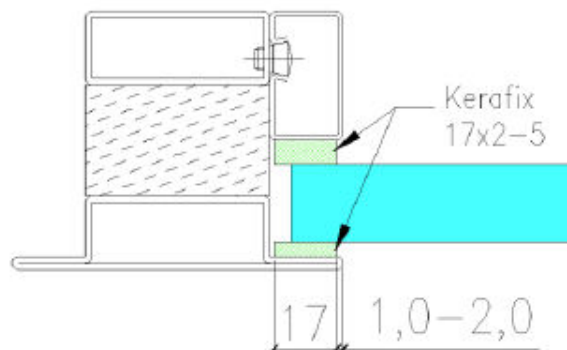
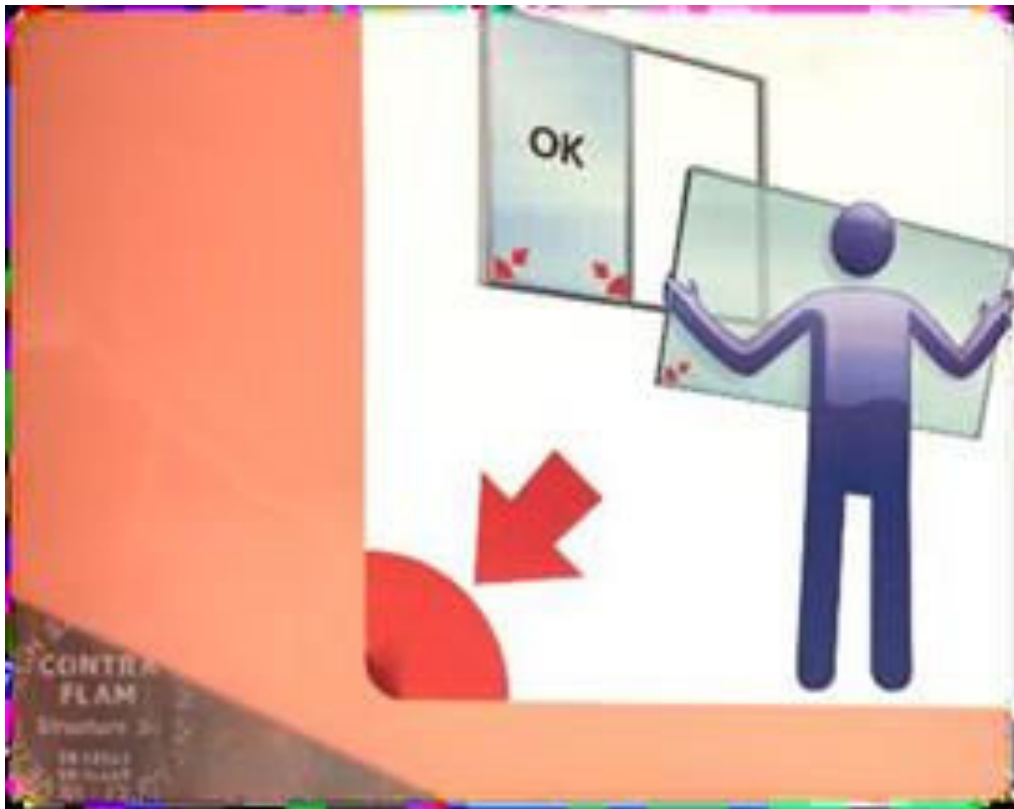


FIGURE 4

STEEL PROFILE DOORS / METAL DOORS / MARINE DOORS

- If necessary, remove the fastening screws (C) from panel (A), in order to fit the glass in the opening.
- Place two glazing blocks (F) under the glass in both corners' ca 50-200mm distance from the profile corners.
- Before placing the intumescent gasket, clean the surface from grease, dust, oil and other dirt
- When using fire resistant glass, place self-expanding gasket Kerafix FXL 200 around the perimeter of the glass on the profile. (H shown on Figure 3). Do the cut-out from the gasket for the glazing distance blocks.
- Do not squeeze, stretch or harm the intumescent gasket in any other way during the installation.
- Install the glazing bead screws c/c max 250 (shown as C on Figure 3)
- Place the glass on the glazing blocks
- When placing the fire-resistant glass in the glazing aperture, make sure that the imprint is in the lower corner (usually the glass also has a stamp).



- Check that the space between edges of the glass and the profile is equal
- Install the glazing beads
- First, install the horizontal glazing beads and then vertical beads between them. To fasten the glazing bead, hit the bead's outer corner with a rubber hammer or a wood block (in the direction marked by arrow 1 on the Figure 5) above the screw fastening on the base of the bead. Start fastening the bead from one end of the bead and continue towards the other end. Make sure that the glazing bead is fastened correctly on the screws and that there is no gap

STEEL PROFILE DOORS / METAL DOORS / MARINE DOORS

between the bead and the profile. If necessary, hit the bead gently above the fastening screw in the direction of the screw's axis (in the direction marked by arrow 2 on the Figure 5).

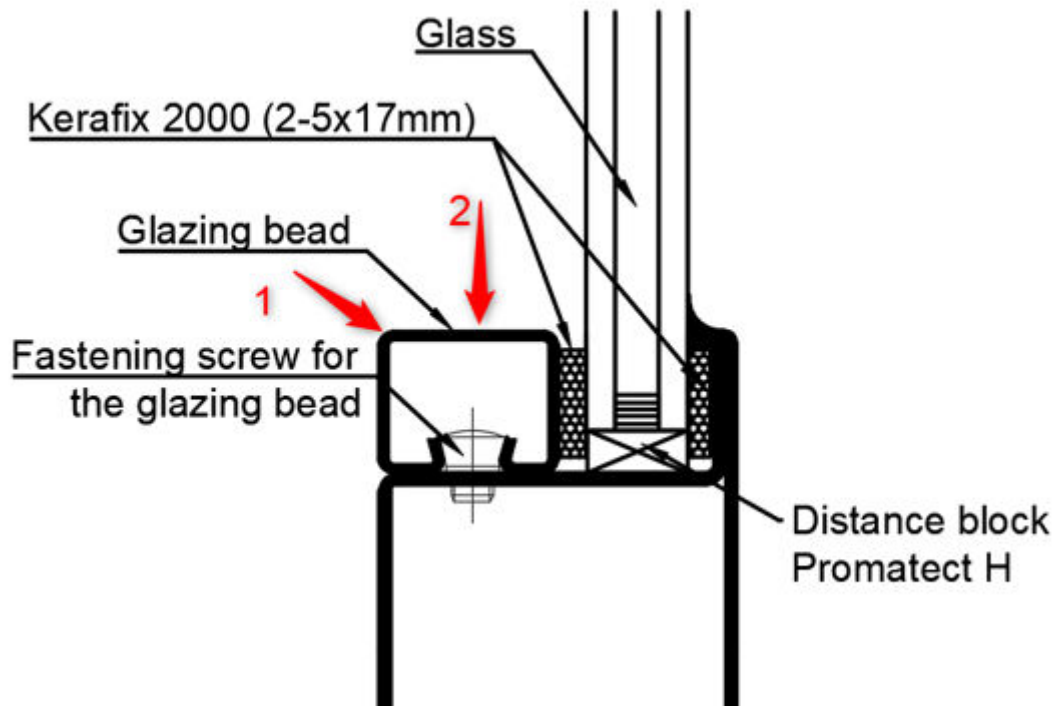


FIGURE 5