

Fireproof Metal Door SMU101 EI30

AREAS OF USE

Metal door is intended for indoor and outdoor use in both residential and public buildings, where the fireproof and/or evacuation requirements are stated.

CERTIFICATE OF CONFORMITY

Fire resistance of the doors is certified in accordance with standard EN 16034.

Other parameters are assessed in accordance with the requirements of the EN 14351 standard series.

MEASUREMENTS AND PROPERTIES

Max measurements	1357x2518mm, max 3,10m ²
Weight of a door leaf	33kg/m ²
Fire resistance	E120, EW60, EI ₂ 30 (EN 13501-2)
Smoke resistance	Sa/S200 (EN 13501-2)
Sound resistance	up to 37dB (ISO 717)
Thermal conductivity	0,94-1,3 W/m ² K (ISO 12567, ISO 10077)
Burglar resistance	RC2, RC3 (EN 1627)
Watertightness	class 6A (EN 12208)
Resistance to wind load	class C3 (EN 12210)
Mehchanical strength	class 3 (EN 1192)
Air permeability	class 4 (EN 12207)
Resistance to repeated opening and closing	class 8 (EN 12400), C5 (EN 13501-2)

The exact value of the characteristics above depends on the parameters of the door being projected.

FINISHING

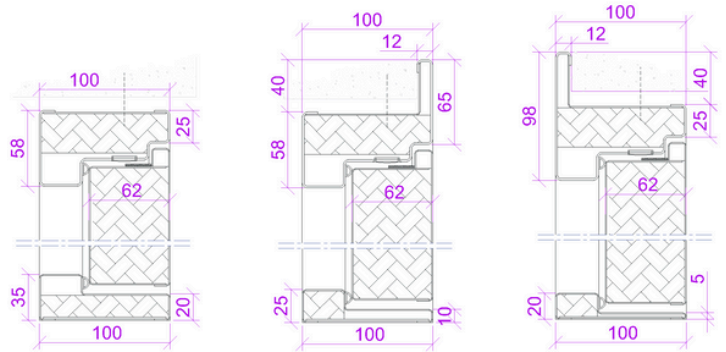
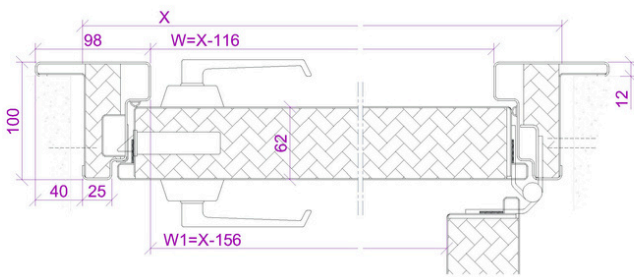
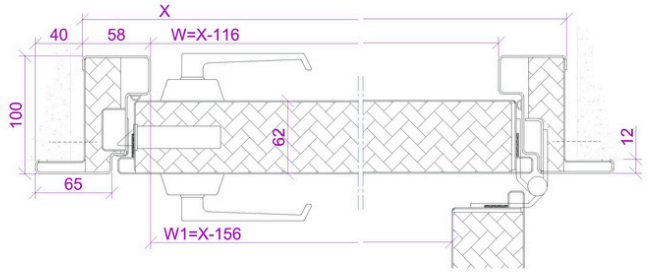
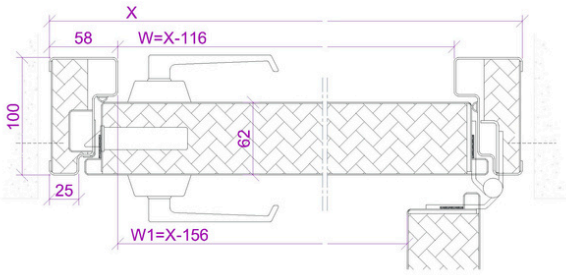
Door set can be powder or wet painted in different RAL colors or have stainless steel brushed or polished finish. PVC covered steel and laminate can be used.

EXTRAS

The door can be fitted with different mechanical locks and door closer systems.



FRAME TYPES



ADJUFIX

